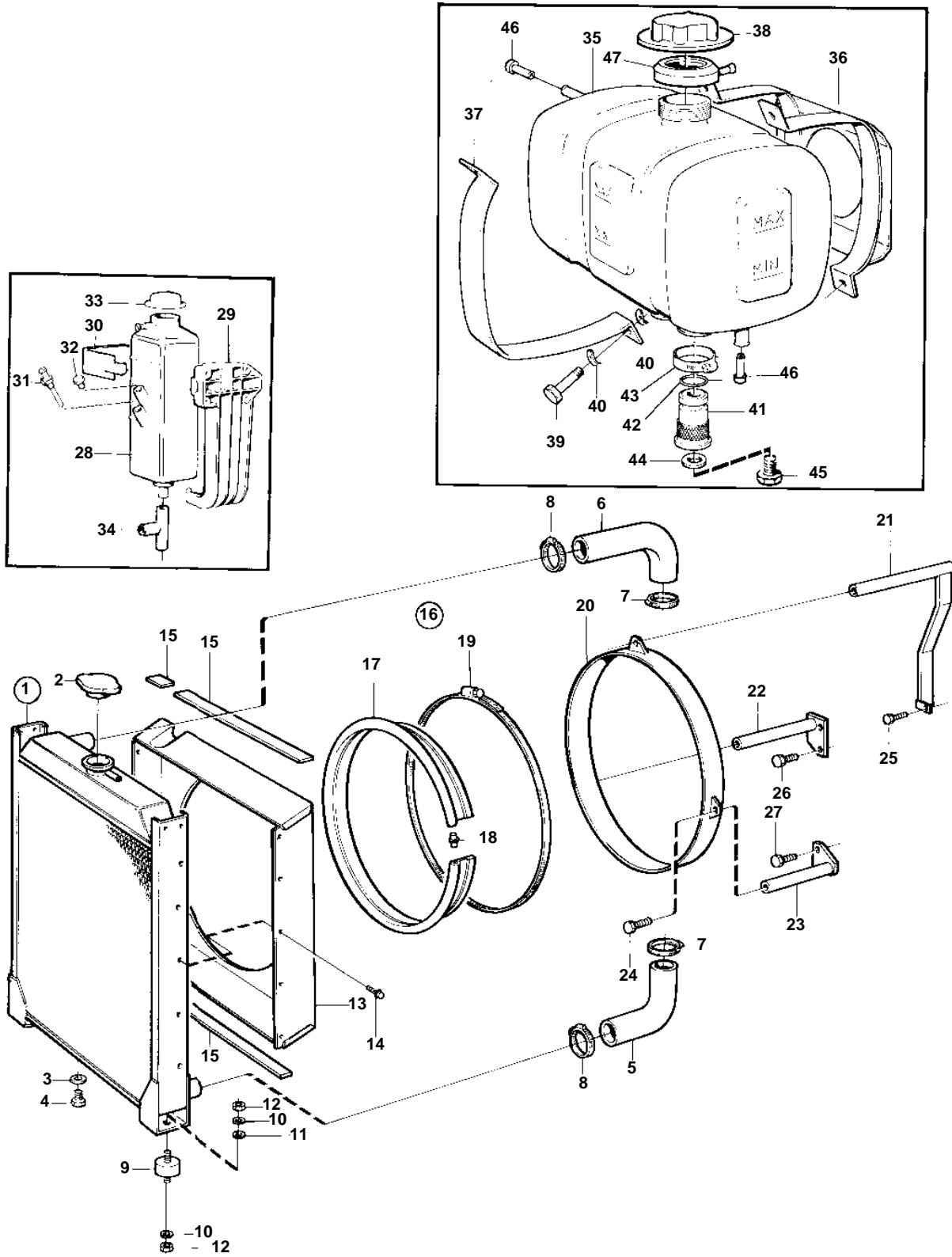


TD610M, TD630ME, TWD630ME, TD730ME, TWD730ME, TWD731ME



11589

TD610M, TD630ME, TWD630ME, TD730ME, TWD730ME, TWD731ME

REF	PART NO.	QTY	DESCRIPTION	NOTES
1	863799	1	Radiator	
2	344753	1	· Radiator cap	
3	969011	1	Gasket	
4	960630	1	Plug	
5	849920	1	Radiator hose	
6	849921	1	Radiator hose	
7	943479	2	Hose clamp	
8	943480	2	Clamp	
9	849170	2	Rubber cushion	(807464)
10	940280	4	Spring washer	
11	955898	2	Washer	
12	955850	4	Nut	
13	844061	1	Fan shroud	
14	945970	10	Screw	
15	821707	1	Sealing strip	
16		1	Fan ring, kit	
17	837300	1	· Sealing strip	
18	475450	1	· Connector	
19	947467	1	· Clamp	
20	862184	1	· Fan ring	
21	862302	1	· Support	
22	849065	1	· Anchorage	
23	849064	1	· Anchorage	
24	947107	3	· Flange screw	
25	945444	1	· Flange screw	
26	965179	2	· Flange screw	
27	946440	2	· Flange screw	
28	844062	1	Expansion tank	
29	843260	1	Bracket	
30	843266	1	Clamp	
31	843247	1	Tube	
32	947660	1	Plug	
33	844624	1	Pressure cap	
34		1	T-pipe	
35	4804536	1	Expansion tank	
36	4952322	1	Attaching plate	
37	4804283	2	Strip	
38	1542591	1	Cover	
39	955294	4	Screw	
40	941907	8	Spring washer	
41	11031743	1	Nipple	
42	960164	1	O-ring	
43	943473	1	Hose clamp	(926244)
44	11994	1	Gasket	
45	947660	1	Plug	
46	865754	2	Orifice sleeve	
47	3828863	1	Rubber collar	EARLY PROD, (11033334)